

SPECIFICATION

AISI 303 stainless steel **NI**
 Matte shot-blasted finish **GS**

HEXAGON NUTS

Stainless Steel AISI 304

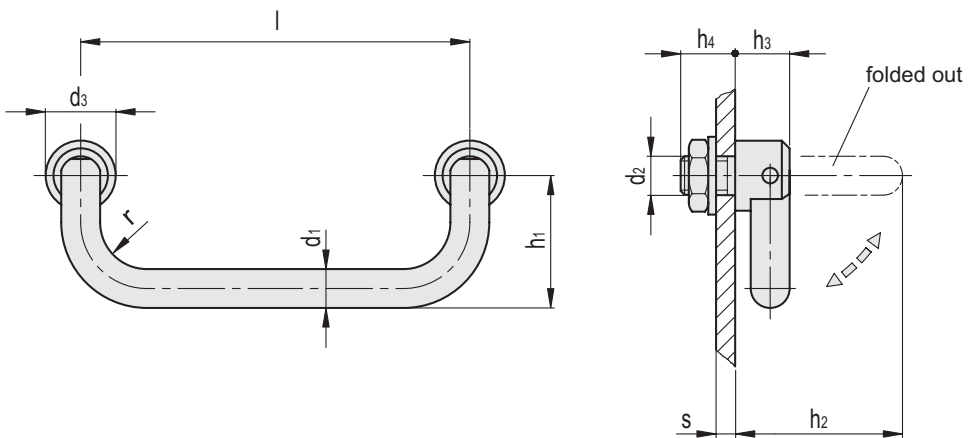
WASHERS

Stainless Steel AISI 304

INFORMATION

Folding handles GN 425.2 are used in places where the handle must not protrude or protrude only a short distance.

In both positions the handle is retained by a spring loaded detent.



| Code | Description | d1 | l±0.25 | d2 | d3 | s | h1 | h2 | h3 | h4 | r | s max | Δ |
|----------|---------------------|----|--------|----|----|---|----|------|-----|----|---|-------|----|
| GN.42522 | GN 425.2-NI-6-55-GS | 6 | 55* | M6 | 12 | 4 | 21 | 27.5 | 9.5 | 10 | 6 | 4 | 39 |
| GN.42523 | GN 425.2-NI-6-64-GS | 6 | 64 | M6 | 12 | 4 | 21 | 27.5 | 9.5 | 10 | 6 | 4 | 41 |
| GN.42524 | GN 425.2-NI-6-88-GS | 6 | 88* | M6 | 12 | 4 | 21 | 27.5 | 9.5 | 10 | 6 | 4 | 47 |